

6000/7000 Series

Rotary Phase Converters Mechanical Dimensions



TEMCo Heavy Duty Rotary Phase Converters provide utility quality three phase power from a single phase power supply. TEMCo's world class products are being used throughout the United States and internationally.

Phase Converter Features:

6yr Full 6 Year Warranty

HEAVY DUTY Rugged Heavy Duty Rotary Design

100% Copper Windings
(Energy Efficient, Environmentally Friendly)

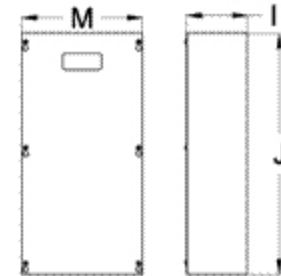
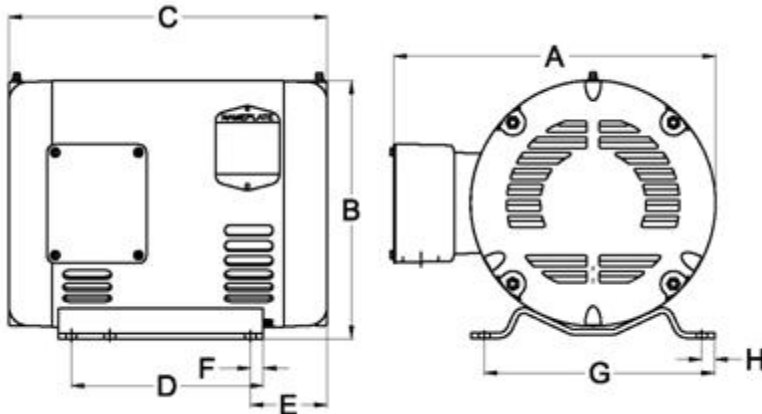
100% American Made

208-240v or 440-480v Operation

Quiet Operation, 63db @ 10ft
(No Louder Than Human Conversation)

Rotary Generator:

Control Panel:



Dimensions (Approx, Inches):

Model	A	B	C	D	E	F	G	H	I	J	K	L	M	Approx. Weight
21	18.86	14.63	20.62	12.87	4.94	0.88	13.38	0.88	6.00	24.00			18.00	415
29	18.86	14.63	20.62	12.87	4.94	0.88	13.38	0.88	6.00	30.00			18.00	500
36	18.86	14.63	20.62	12.87	4.94	0.88	13.38	0.88	6.00	30.00			18.00	630
44	20.85	16.59	21.88	13.13	5.70	0.88	14.88	0.88	6.00	30.00			18.00	730
55	20.85	16.59	21.88	13.13	5.70	0.88	14.88	0.88	10.00	30.00			24.00	850